

6

5

4

3

2

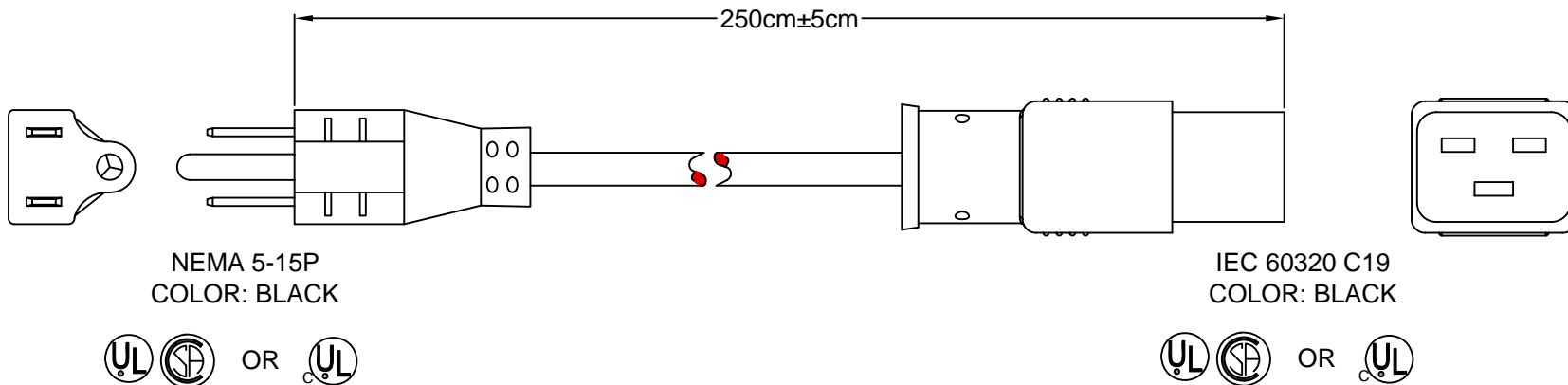
1

CABLE SPECIFICATIONS

DESCRIPTION	COLOR CODE	NOMINAL O.D.	OVERALL RATING	COLOR	APPROVAL
14/3 SJT 60°C	NORTH AMERICAN	9.2	15A 125V	BLACK	UL CSA OR UL

NOTES:

- 1. Actual plug & connector (design & shape) may differ from drawing.
- 2. Packaging: Bulk packed.



RoHS COMPLIANT

REV	DATE	CHANGE	CHNG/CHKD/APPR		
			TD	JJ	SS
A	8/1/00	UPDATE DRAWING	TD	JJ	SS
B	8/9/01	REDESIGN PLUG	TD	PB	
C	12/14/01	REVISED / UPDATED	GD	PB	

TOLERANCE IN MM UNLESS OTHERWISE SPECIFIED > 1000 ± 50 <= 1000 ± 30 STRIPPED LENGTH ± 2	
DRAWN BY: SOKOLI	DATE: 2/15/95
CHECK BY: LH	DATE: 9/30/98
APPR BY: AH	DATE: 9/30/98

Power Dynamics, Inc.
 Phone: 973-560-0019 Whippany, New Jersey Fax: 973-560-0076

PART: AMERICAN CORD SET, NEMA 5-15P TO IEC 60320 C19, 250cm LONG

10060

SIZE: A SCALE: NTS

ALL DIMENSIONS FOR REFERENCE ONLY
DIMENSIONS ARE IN MILLIMETERS

SHEET 1 of 1 REV: C